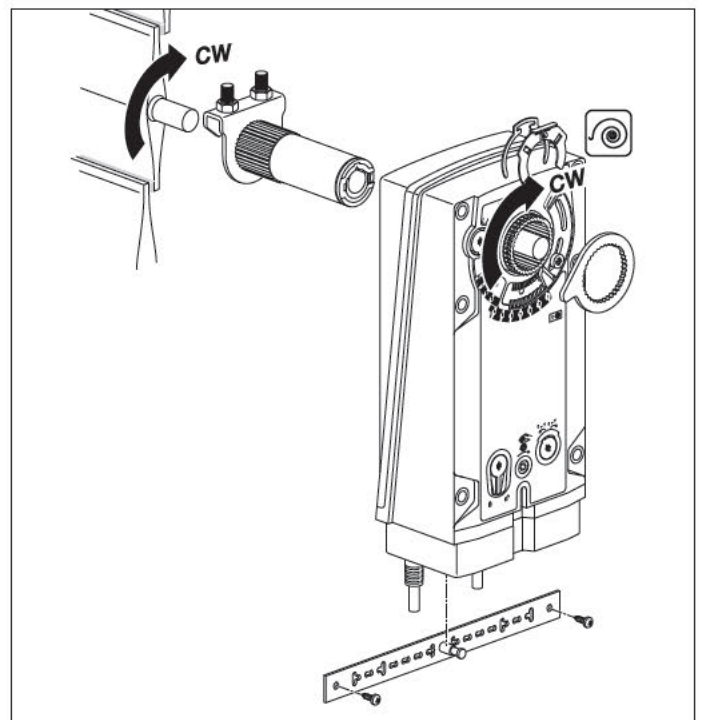
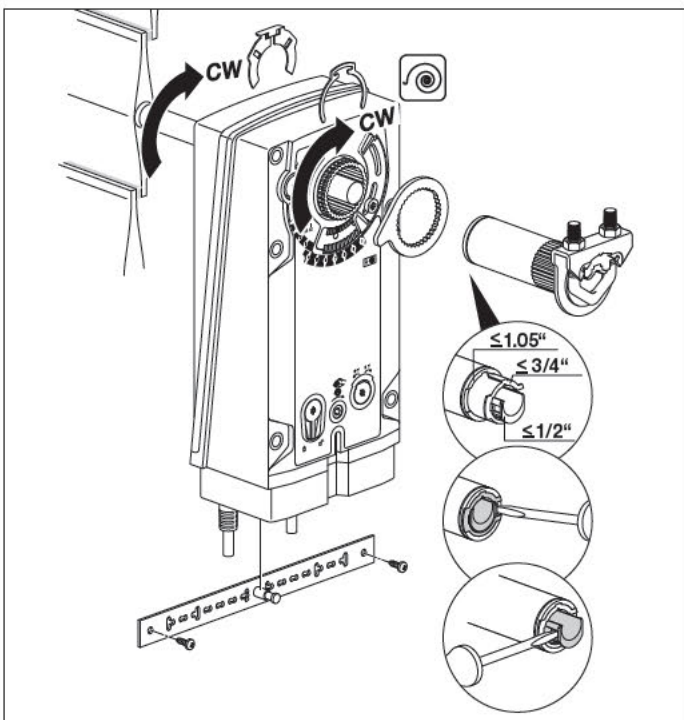
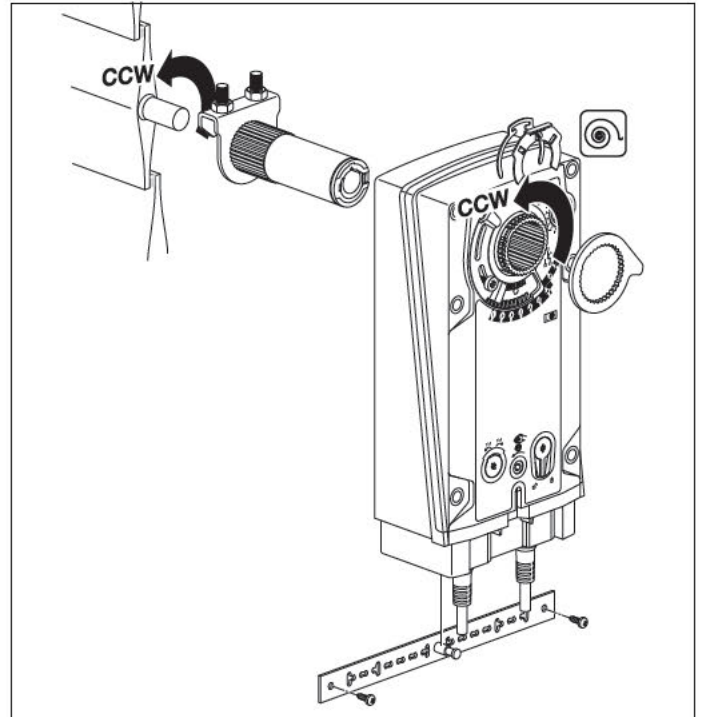
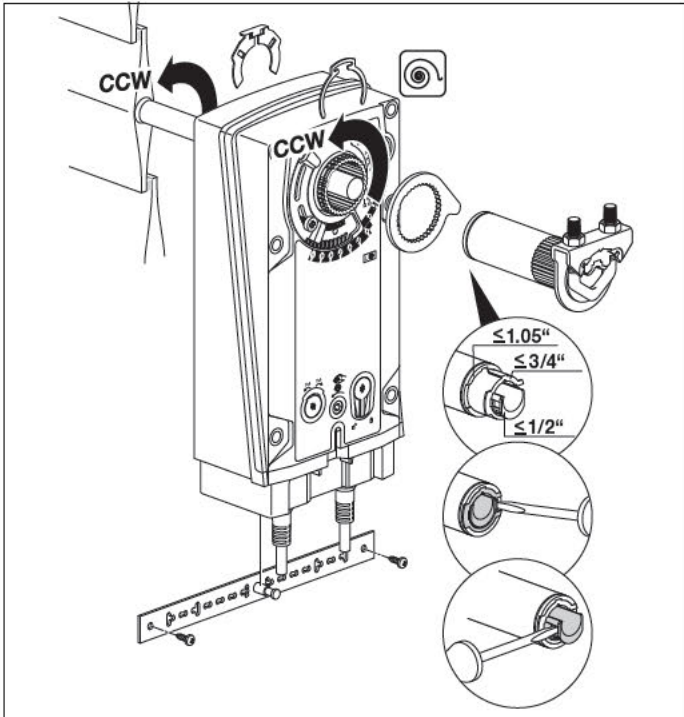
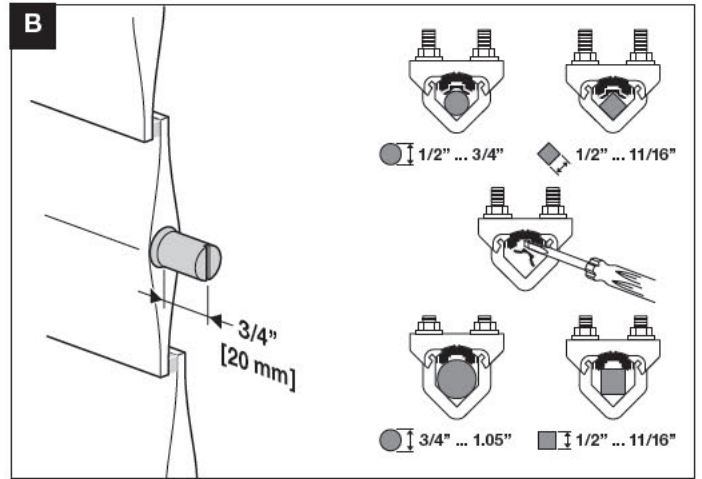
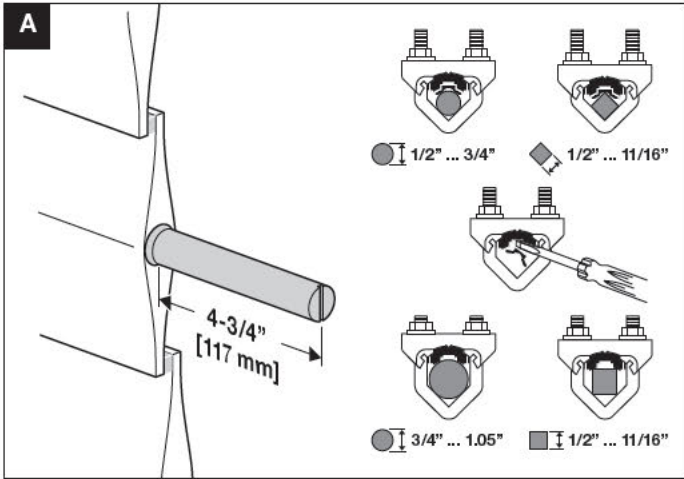
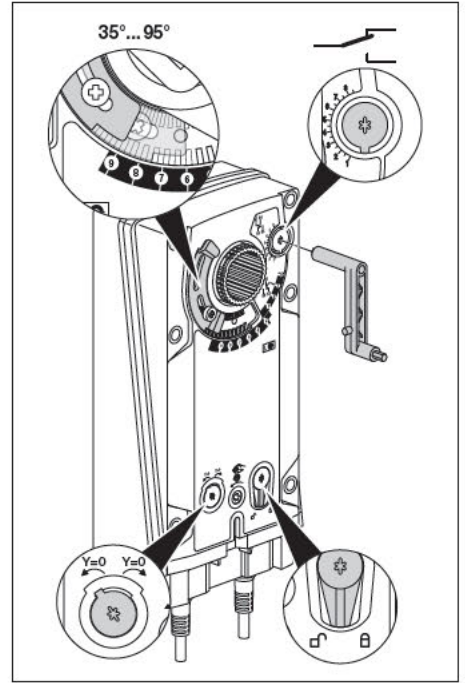
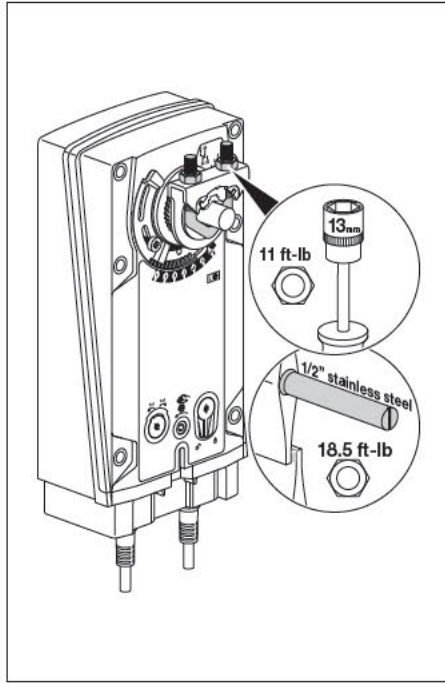
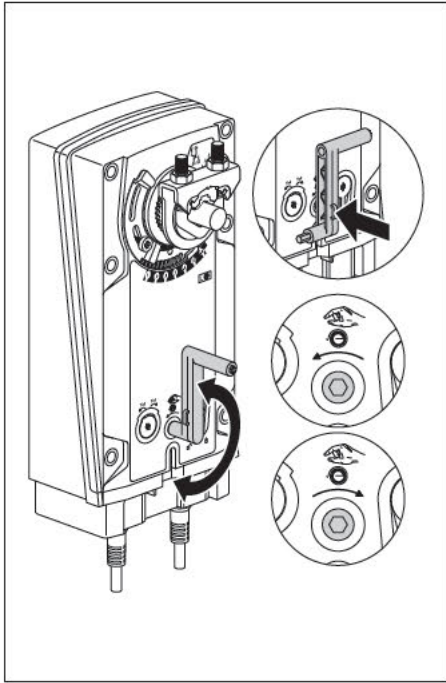


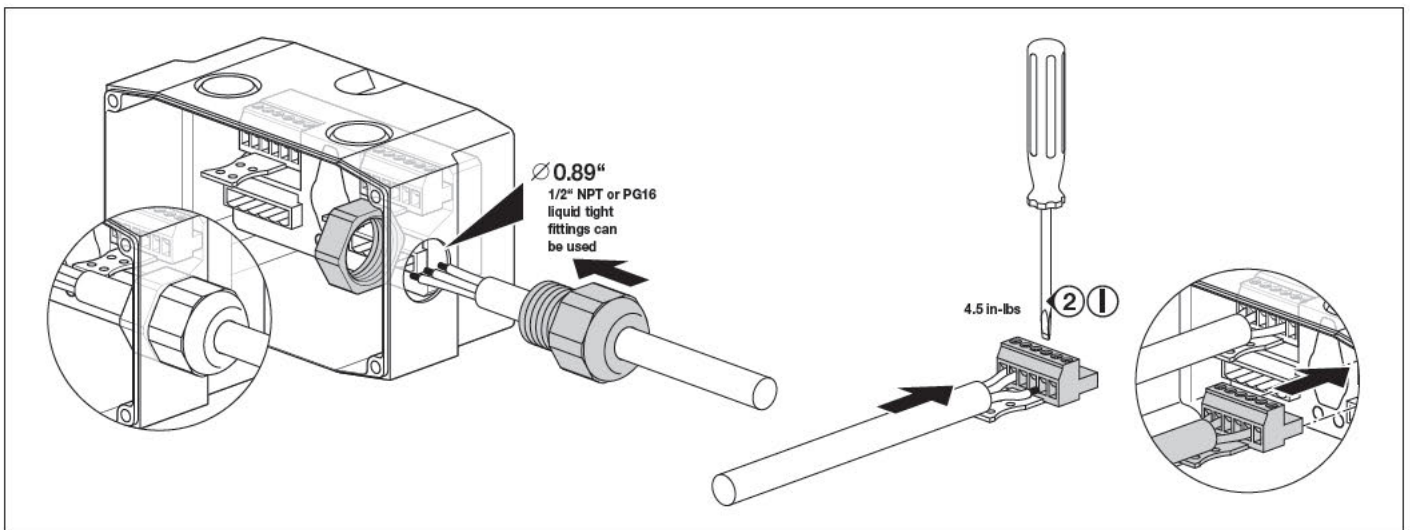
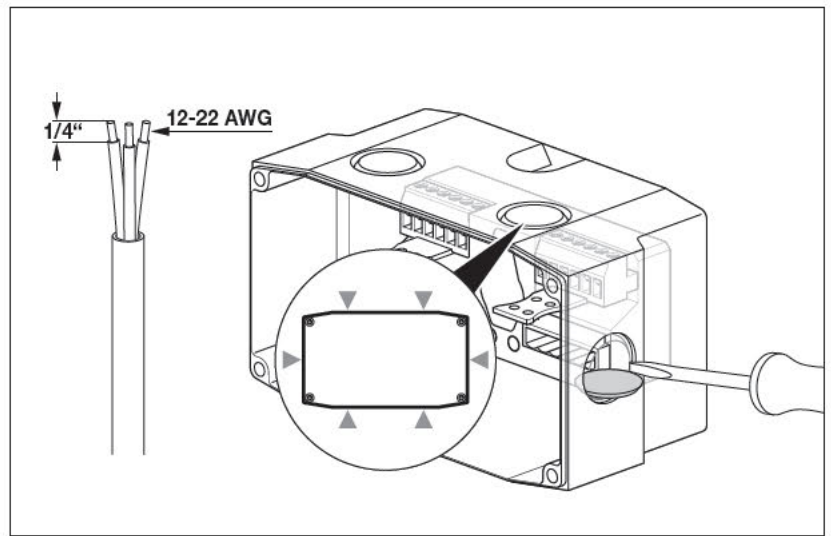
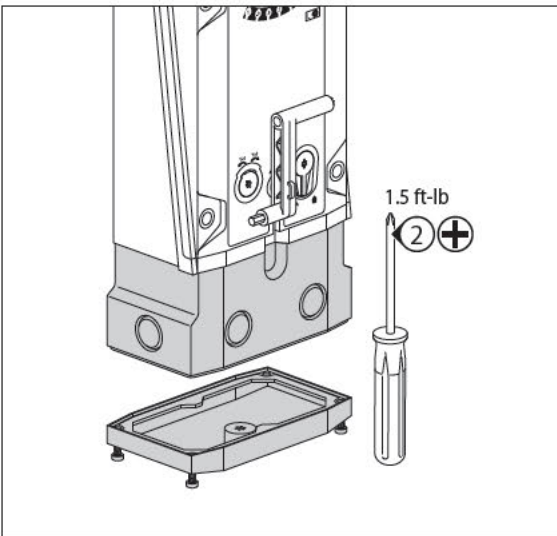
71691-00001 / F-27860



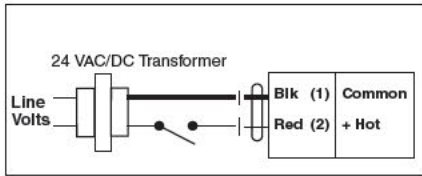
SUBJECT TO CHANGE. © SCHNEIDER ELECTRIC.



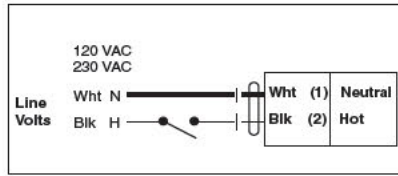
IP 66 / NEMA 4



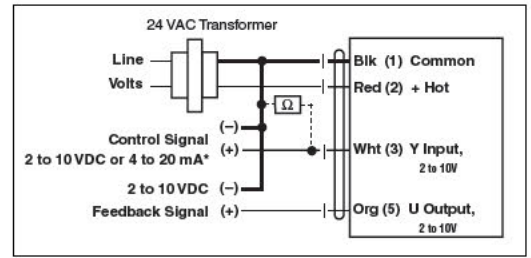
SUBJECT TO CHANGE. © SCHNEIDER ELECTRIC



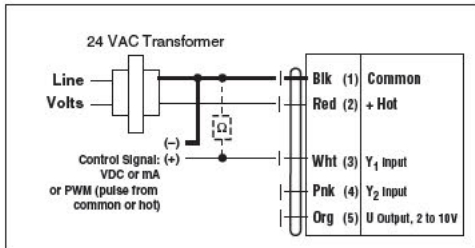
On/Off



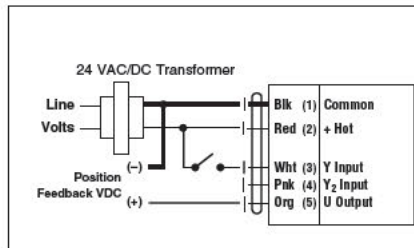
On/Off



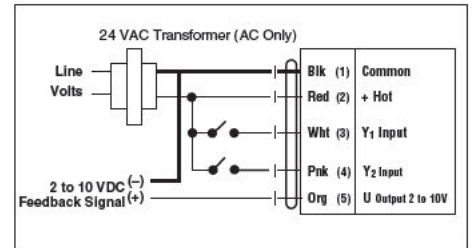
2 to 10 VDC (4 to 20 mA with 500 Ω resistor)



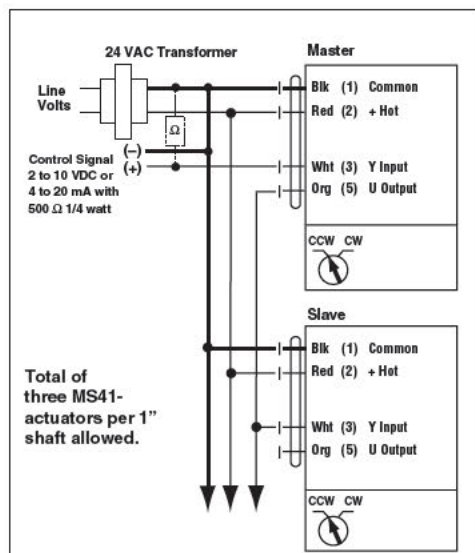
VDC/mA, PWM*



Two-Position



Floating Point*



MS41- Master-Slave

BLK
Black
Negro
Noir
Preto

RED
Red
Rojo
Rouge
Vermelho

PNK
Pink
Rosado
Rosa
Cor-de rosa

Master
Master
Amo
Maitre
Mestre

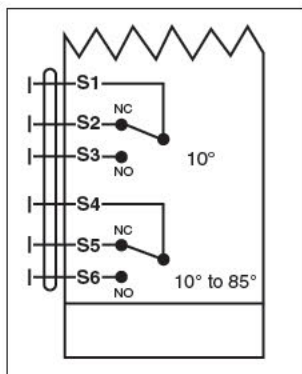
ORG
Orange
Anaranjado
Orange
Alaranjado

WHT
White
Blanco
Blanc
Branco

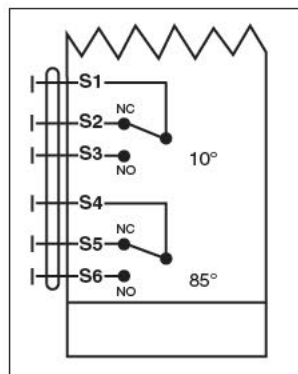
Slave
Slave
Esclavo
Esclave
Escravo

*Requires a programming tool to reconfigure the actuator's input signal

SUBJECT TO CHANGE. © SCHNEIDER ELECTRIC



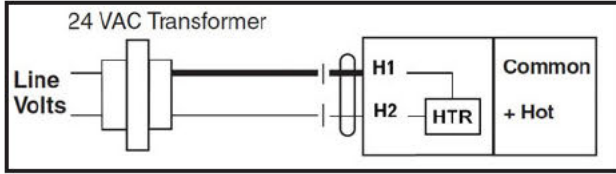
Auxiliary Switch Wiring
for Switched



Auxiliary Switch Wiring
for NEMA 4

Auxiliary Switch Ratings	
Product	Switched Version
Voltage	250 Max
Resistive Load	3.0 A Max
Inductive Load	0.5 A Max

WARNING: Apply only AC line voltage or only UL-Class 2 voltage to the terminals of both auxiliary switches. Mixed or combined operation of line voltage/safety extra low voltage is not allowed.



Heater Wiring